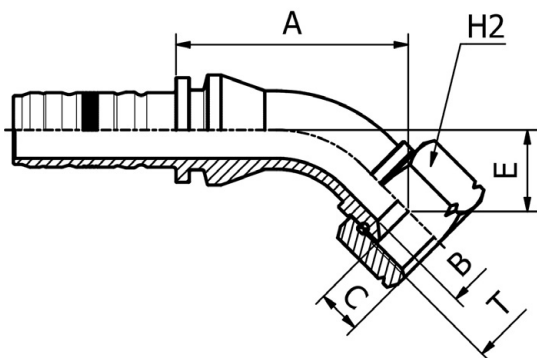


SAE STANDARD CONNECTIONS

M82542



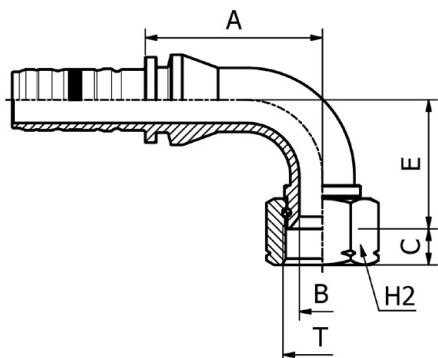
45° JIC
 FEMALE SWEPT ELBOW 37° CONE SEAT
 SAE J516 / ISO 12151-5

PART. REF.	HOSE BORE			Thread	DIMENSIONS mm						
	DN	Dash	inch	T	B	A	C	E	H2		
M82542-12-12	19	- 12	3/4"	1.1/16" - 12	14.5	75.0	14.2	22.5	32.0		
M82542-16-16	25	- 16	1"	1.5/16" - 12	19.5	81.5	15.2	26.0	41.0		
M82542-20-20	31	- 20	1.1/4"	1.5/8" - 12	26.0	101.0	16.2	41.5	50.0		
M82542-24-24	38	- 24	1.1/2"	1.7/8" - 12	32.1	121.5	18.8	48.5	60.0		
M82542-32-32	51	- 32	2"	2.1/2" - 12	42.0	162.0	24.0	63.5	75.0		

FITTINGS 230

SAE STANDARD CONNECTIONS

M82592



90° JIC
 FEMALE SWEPT ELBOW 37° CONE SEAT
 SAE J516 / ISO 12151-5

PART. REF.	HOSE BORE			Thread	DIMENSIONS mm						
	DN	Dash	inch	T	B	A	C	E	H2		
M82592-12-16	19	- 12	3/4"	1.5/16" - 12	19.8	73.5	15.2	57.5	41.0		
M82592-12-12	19	- 12	3/4"	1.1/16" - 12	14.5	67.5	14.2	47.5	32.0		
M82592-16-12	25	- 16	1"	1.1/16" - 12	14.5	76.5	14.2	47.5	32.0		
M82592-16-16	25	- 16	1"	1.5/16" - 12	19.5	74.5	15.2	55.5	41.0		
M82592-20-20	31	- 20	1.1/4"	1.5/8" - 12	26.0	88.0	16.2	86.5	50.0		
M82592-20-24	31	- 20	1.1/4"	1.7/8" - 12	32.0	88.0	18.8	90.5	60.0		
M82592-24-24	38	- 24	1.1/2"	1.7/8" - 12	32.1	105.0	18.8	101.0	60.0		
M82592-32-32	51	- 32	2"	2.1/2" - 12	42.0	145.0	24.0	139.0	75.0		